



**John
BOOS**
Since 1887

ITEM #: _____ QTY: _____
MODEL #: _____
PROJECT NAME: _____

011719

3601 S. Banker St. Effingham, IL 62401 • P.O. BOX 609 • Ph: (888) 431-2667 • Fax: (800) 433-2667

"E3S8-1D" - 3 COMPARTMENT "E-SERIES" SINKS

WITH ONE DRAIN BOARD AND GALVANIZED LEGS



FEATURES:

- 18GA STAINLESS STEEL
- TYPE 300 STAINLESS STEEL WITH #4 POLISH, SATIN FINISH
- 14" DEEP BOWLS
- ALL CORNERS, BOTH VERTICAL AND HORIZONTAL, COVERED AT 3/4" RADIUS
- BOTTOMS OF BOWLS FORMED FOR DRAINAGE TO 3-1/2" DIAMETER DIE STAMPED OPENING
- FULL LENGTH 9-3/4" HIGH BOXED BACKSPLASH, WITH 2" RETURN TO WALL AT 45 DEGREE AND 1" TILE EDGE
- 1-1/8" FAUCET HOLES IN BACKSPLASH
- ALL OUTSIDE CORNERS OF ASSEMBLY ARE BULLNOSED TO PROVIDE SAFE, CLEAN, AND POLISHED EDGE
- STANDARD STAINLESS STEEL LEGS 1-5/8" DIAMETER

CONSTRUCTION:

- TOP: STAINLESS STEEL SINKS ARE TIG WELDED, EXPOSED WELDS ARE POLISHED TO MATCH ADJACENT SURFACE
- BASE: GALVANIZED BASE

MATERIAL:

- BOWLS & TOP: 18GA TYPE 300 STAINLESS STEEL WITH #4 POLISH, SATIN FINISH
- LEGS: 1-5/8" ROUND O.D. GALVANIZED STEEL
- GUSSETS: GALVANIZED STEEL
- FEET: 1" ADJUSTABLE PLASTIC BULLET FEET

10" DEEP - 3 COMP SINKS - 18GA

MODEL	BOWL SIZE (LxWxD)	QTY
E3S8-1014-10L15	10" X 14" X 10"	
E3S8-1014-10R15	10" X 14" X 10"	

12" DEEP - 3 COMP SINKS - 18GA

MODEL	BOWL SIZE (LxWxD)	QTY
E3S8-1620-12L18	16" X 20" X 12"	
E3S8-1620-12R18	16" X 20" X 12"	
E3S8-18-12L18	18" X 18" X 12"	
E3S8-18-12R18	18" X 18" X 12"	

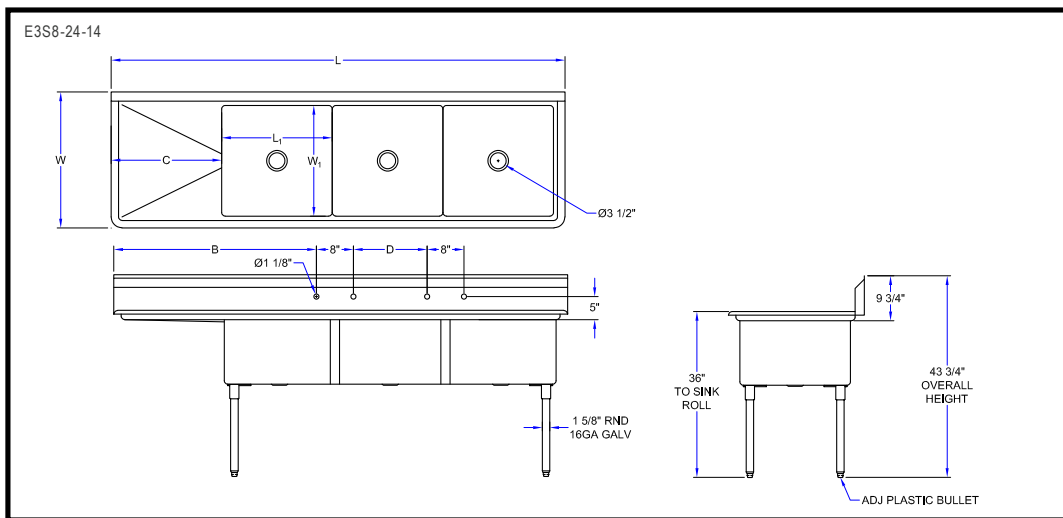
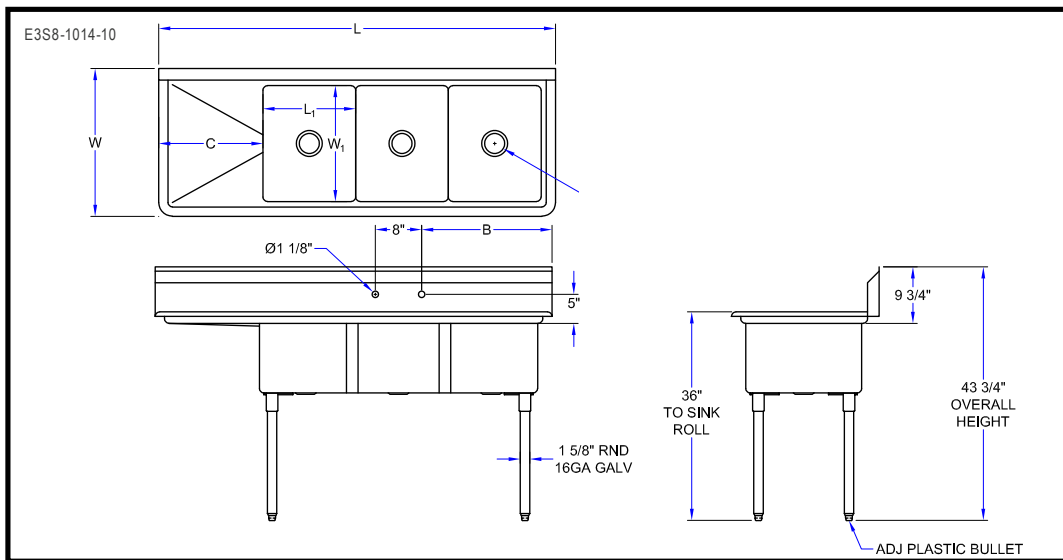
14" DEEP - 3 COMP SINKS - 18GA

MODEL	BOWL SIZE (LxWxD)	QTY
E3S8-15-14L15	15" X 15" X 14"	
E3S8-15-14R15	15" X 15" X 14"	
E3S8-1824-14L24	18" X 24" X 14"	
E3S8-1824-14R24	18" X 24" X 14"	
E3S8-24-14L24 *	24" X 24" X 14"	
E3S8-24-14R24 *	24" X 24" X 14"	

* WITH TWO SETS OF FAUCET HOLES



* WITH TWO SETS OF FAUCET HOLES



10" DEEP - 18GA - "E3S8-1D" 3 COMPARTMENT "E-SERIES" SERIES SINKS

MODEL	L	W	L1	W1	A	B	C	WT (LBS)
E3S8-1014-10L15	47-1/2"	19-1/2"	10"	14"	9-15/16"	13-1/2"	15"	60
E3S8-1014-10R15	47-1/2"	19-1/2"	10"	14"	9-15/16"	13-1/2"	15"	60

12" DEEP - 18GA - "E3S8-1D" 3 COMPARTMENT "E-SERIES" SERIES SINKS

MODEL	L	W	L1	W1	A	B	C	WT (LBS)
E3S8-1620-12L18	68-1/2"	25-1/2"	16"	20"	12-15/16"	22-1/2"	18"	87
E3S8-1620-12R18	68-1/2"	25-1/2"	16"	20"	12-15/16"	22-1/2"	18"	87
E3S8-18-12L18	74-1/2"	23-1/2"	18"	18"	11-15/16"	25-1/2"	18"	88
E3S8-18-12R18	74-1/2"	23-1/2"	18"	18"	11-15/16"	25-1/2"	18"	88

14" DEEP - 18GA - "E3S8-1D" 3 COMPARTMENT "E-SERIES" SERIES SINKS

MODEL	L	W	L1	W1	A	B	C	D	WT (LBS)
E3S8-15-14L15	62-1/2"	20-1/2"	15"	15"	10-7/16"	21"	15"	-	78
E3S8-15-14R15	62-1/2"	20-1/2"	15"	15"	10-7/16"	21"	15"	-	78
E3S8-1824-14L24	80-1/2"	29-1/2"	18"	24"	14-15/16"	25-1/2"	24"	-	111
E3S8-1824-14R24	80-1/2"	29-1/2"	18"	24"	14-15/16"	25-1/2"	24"	-	111
E3S8-24-14L24 *	98-1/2"	29-1/2"	24"	24"	14-15/16"	22-1/2"	24"	16"	128
E3S8-24-14R24 *	98-1/2"	29-1/2"	24"	24"	14-15/16"	22-1/2"	24"	16"	128

SOME UNITS SHIP UNASSEMBLED FOR REDUCED SHIPPING COST. ALL DIMENSIONS ARE TYPICAL. TOLERANCE +/- .500"

John Boos & Co. is constantly engaged in a program of improving products and therefore reserves the right to change specifications without prior notice.



3601 S. Banker St. • Effingham, IL 62401 • PO BOX 609 • quotes@johnboos.com

011719



www.johnboos.com

177